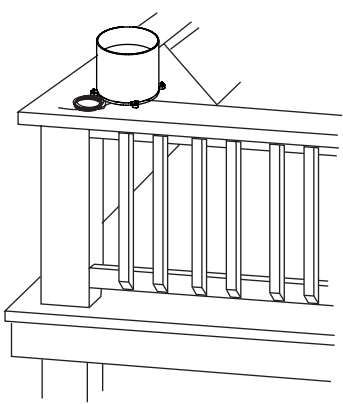


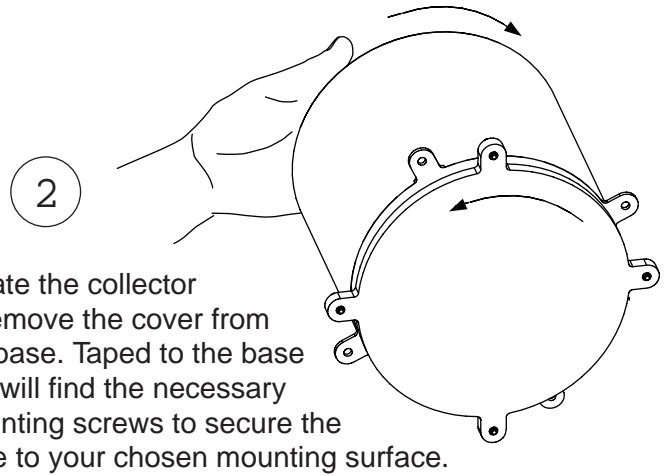
# RAINWATCH

## INSTALLATION

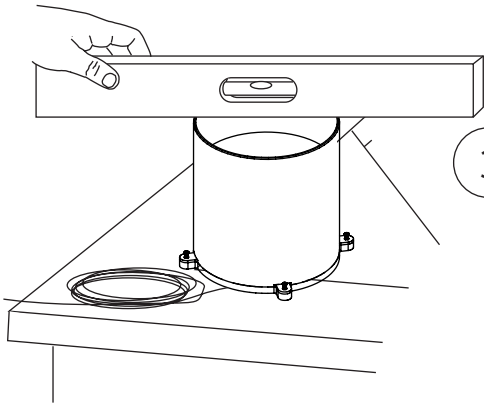
PROPER INSTALLATION IS IMPORTANT. IF YOU NEED ASSISTANCE, CONSULT A CONTRACTOR, ELECTRICIAN OR TELEVISION ANTENNA INSTALLER (CHECK WITH YOUR LOCAL BUILDING SUPPLY, OR HARDWARE STORE FOR REFERRALS). TO PROMOTE CONFIDENCE, PERFORM A TRIAL WIRING BEFORE INSTALLATION.



1 Select a level surface in an open area above ground to mount the collector. Some examples would be a deck or tree stump.

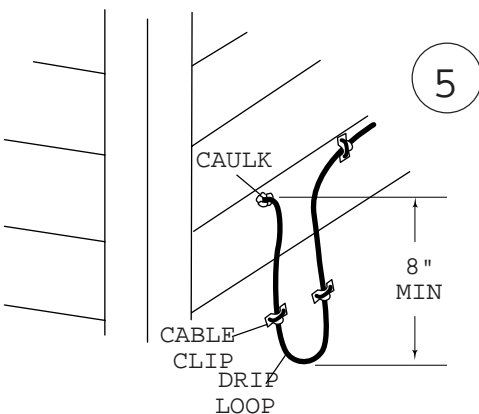
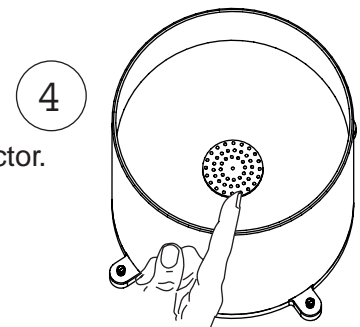


2 Rotate the collector to remove the cover from the base. Taped to the base you will find the necessary mounting screws to secure the base to your chosen mounting surface.



3 If the collector is not mounted absolutely level your readings will be incorrect.

Make sure that the plastic screen is in position in the collector.



5 Run the wire into the house using insulated cable clips. Form a drip loop where the wire enters the house and caulk the feed thru hole when done

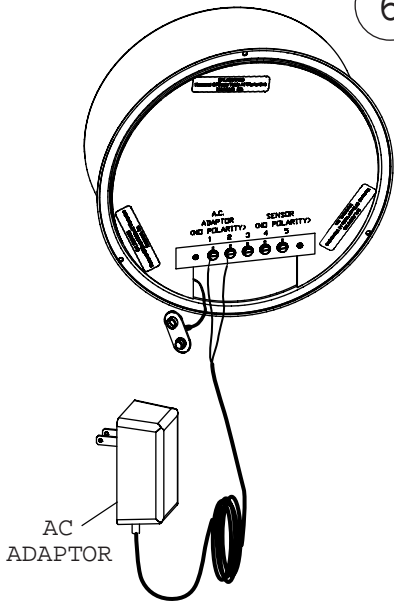
**MAXIMUM** INC

30 Samuel Barnett Boulevard  
New Bedford, MA 02745  
(508) 995-2200

# RAINWATCH

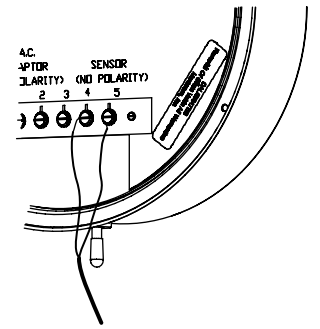
## INSTALLATION (CONT.)

6 Connect the wires from the AC Adaptor cord to terminals #1 and #2. The polarity does not matter.



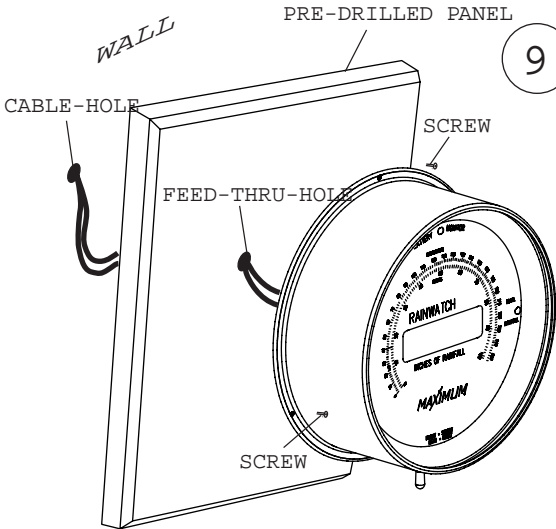
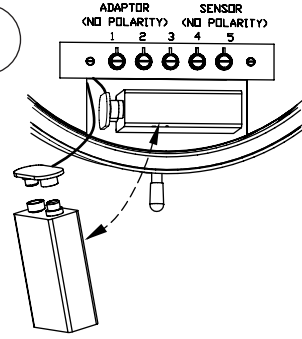
7

Connect the collector wires to terminals #4 and #5. The polarity does not matter.



Using a quality alkaline type 9V battery, connect the battery to the battery snap. Seat the battery in the compartment.

8

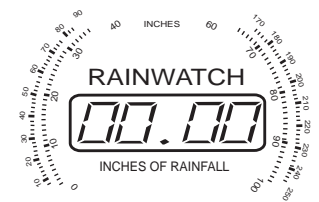


9

Mount the Brass Readout directly over the Feed-Thru-Hole to avoid crimping the wire under the lip. We recommend mounting the Readout on one of our pre-drilled and centered panels.

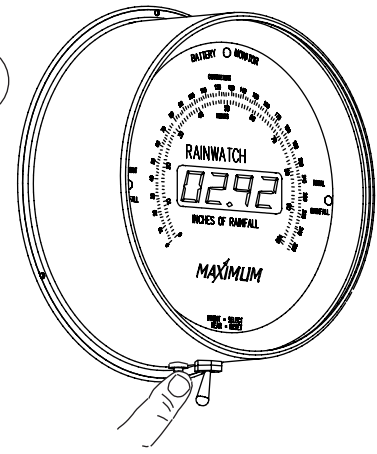
10

Plug in the AC adaptor. The display should now light up.



11

Reset the display by holding the reset button for six seconds.

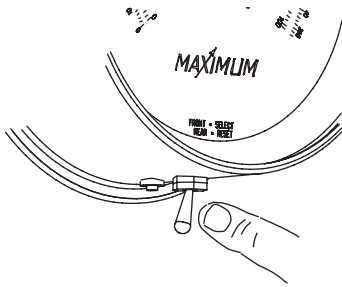


**MAXIMUM** INC  
 30 Samuel Barnett Boulevard  
 New Bedford, MA 02745  
 (508) 995-2200

# RAINWATCH

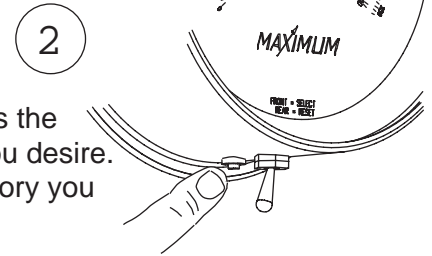
## OPERATION

RAINWATCH has two "counters". They are shown on the face of the instrument as "Current" and "Total". There are two switches located at the bottom of the case.

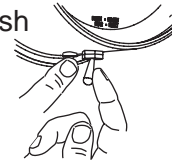


- 1 The switch closest to the front of the case selects which counter (memory) you wish to display. Regardless of this switch's position, both counters are accumulating data.

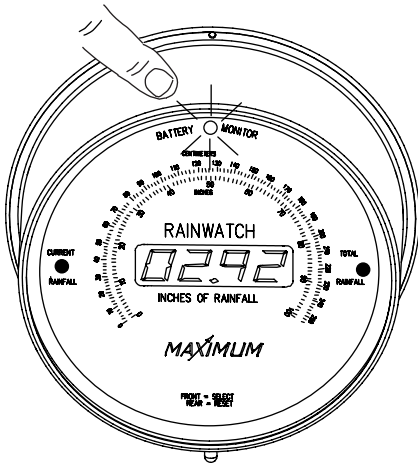
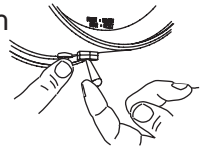
The push button switch closest to the rear of the case is the reset switch. This switch resets either counter when you desire. The front toggle switch position determines which memory you wish to erase.



- A. Pushing the select switch to the left and holding the push button switch for six seconds erases "Current".



- B. Pushing the select switch to the right and holding the push button switch for six seconds erases "Total".



## BATTERY MONITOR

If you have installed a 9V battery as per the instructions, the battery monitor LED will indicate the battery's condition. Simply, if the LED is lit, this indicates a good battery.

Upon any power failure the display will go blank and the battery monitor LED will stay lit. This indicates that the instrument is still collecting and storing data without interruption. Using a good quality 9V battery, RAINWATCH can store and collect data for over one week.

**NOTE: FREEZING WEATHER WILL NOT DAMAGE THE UNIT, HOWEVER, READINGS OF SNOW OR FREEZING RAIN WILL BE INACCURATE.**

*MAXIMUM* INC

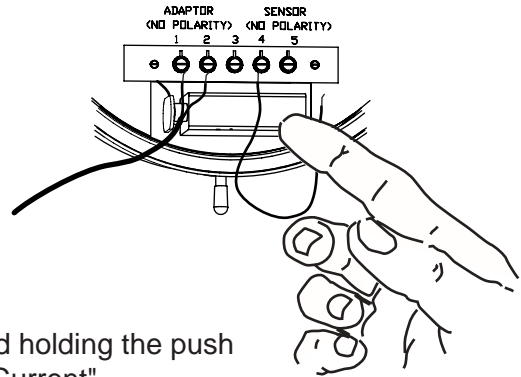
30 Samuel Barnett Boulevard  
New Bedford, MA 02745  
(508) 995-2200

# RAINWATCH

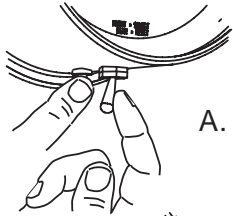
## TROUBLE SHOOTING

- 1 If the display is NOT lit check the voltage output from the AC Adaptor. This particular adaptor puts out between 11 and 15 VAC. If the voltage is not correct then the adaptor is faulty.
- 2 If the display IS lit but the unit is not counting then remove the indicator from the wall and disconnect the collector wires from terminals #4 and #5.

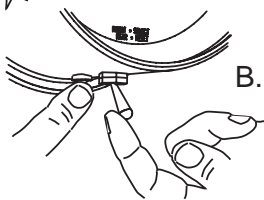
- 3 Connect one end of a 3" or 4" long wire to terminal #4.



- 4 Reset the "Memories" to 0.

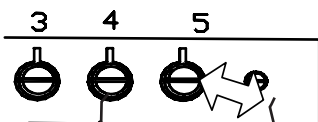


A. Pushing the select switch to the left and holding the push button switch for six seconds erases "Current".

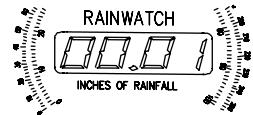


B. Pushing the select switch to the right and holding the push button switch for six seconds erases "Total".

- 5

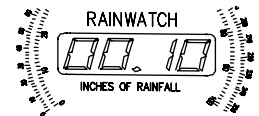


Using the free end of your test wire, touch terminal #5 and release it. The display should read 00.01.



- 6

Repeat step 5 nine more times. The display should then read 00.10. This indicates that the instrument is alright and that the problem lies in the wire or in the collector.



- 7 Contact the factory for advice as to how to troubleshoot the wire and the collector.

**MAXIMUM** INC

30 Samuel Barnett Boulevard  
New Bedford, MA 02745  
(508) 995-2200

## IMPORTANT ADDITIONAL INFORMATION

**Components:** Along with the indicator, the following components are included with this instrument:



**AC Adaptor:** This instrument requires its own AC Adaptor. Due to the various power requirements of each Maximum instrument, attempting to run more than one instrument on a single adaptor could cause improper operation and/or damage to the instrument(s) thereby voiding your 5-year warranty.

**Brass Case:** Your brass case is solid brass A70-30 Holloware quality, with a durable lacquer finish. It is in fact a piece of jewelry and should be treated as such. It should be cleaned at least once a week to keep airborne pollutants (dust, etc...) and any moisture from collecting on the case thereby attacking the lacquer. At no time should you use an abrasive cleaner or cloth on the brass case. Simply use a soft cloth or soft paper towel with a mild glass cleaner to wipe the case clean. If your instruments are in a summer home, and you are not able to clean them regularly, simply lay a small cloth or towel across the top two-thirds so that dust cannot settle on the finish.

**Specifications:** All instrumentation or measuring devices have accuracy tolerances and specifications. Making comparisons between different pieces of equipment is appropriate provided the specified accuracies of both are known.

	<b>Measurement Range</b>	<b>Guaranteed Accuracy</b>
Rainfall (Indicator)	0 to 99.99 Inches of Rain	Zero Error (Digital Display System)
Rainfall (Collector)		±.01 Inches/Inch of Rain



## Electrical Damage – Common Causes & Recommended Prevention

Electrical damage can be caused by many different factors. Below are some of the more common causes and some suggested methods of minimizing potential problems.

### Common Causes:

- **Storm Activity** – lightening in your area can do damage to your instruments in different ways. The obvious way is due to a direct or nearby strike. In addition, lightening storms, dust storms, dry snowstorms and strong dry winds can all cause static electricity to build up on and around your external sensors. Regardless of the cause, this built up electricity can discharge itself through the cable connecting the external sensors to the instrument.
- **Power Surges** – A surge may come from the electric company's switching generators or power grids, from local industries or after power interruption when accumulated power suddenly surges back through AC lines. Even the on-and-off switching of large electrical appliances, such as refrigerators or clothes dryers can create damaging fluctuations. This is especially true with sensitive weather recording devices.
- **Yourself** – Are you constantly giving and/or receiving a shock every time you touch a doorknob or another person? If so, you have a great deal of static electricity in your environment. Depending on where you live, static electricity may be a year round problem or only a seasonal problem. In either case, it is possible for a person to carry enough of a charge to damage an instrument.

### Recommended Prevention:

- **Use Surge Protectors** – For the AC adapter, a UL 1449 rated surge protector with EMI/RFI filtering is recommended. This rating will be clearly listed on the packaging of all good quality surge protector.
- **Discharge Yourself** – If the instruments are located in an environment where static electricity is a problem, make sure that you discharge yourself before touching the instrument(s). The shock that you get from touching a doorknob or another person can often be sufficient to damage an instrument.