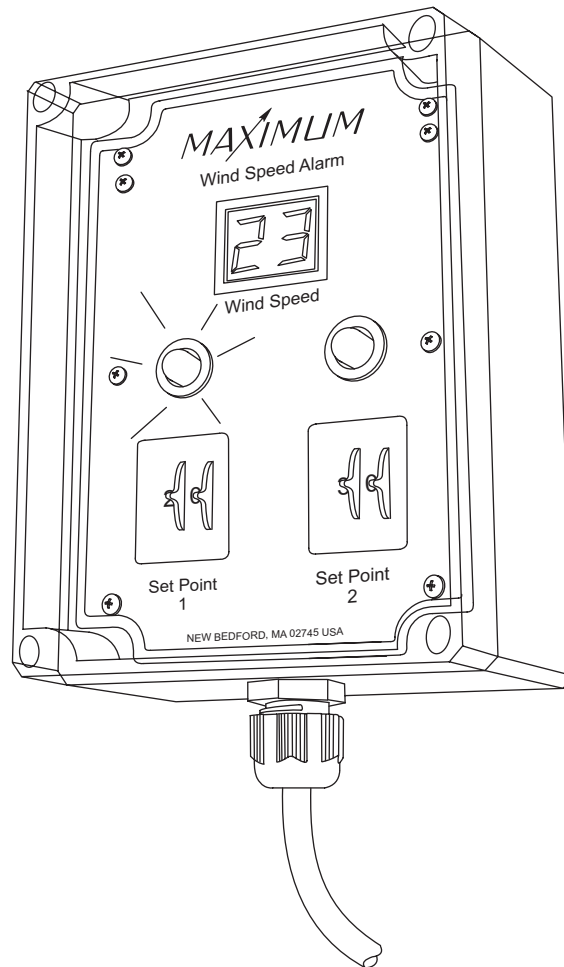


# MAXIMUM WIND ALARM

Thank you for purchasing the Maximum wind speed alarm. The Maximum wind speed alarm is a dual set point wind speed indicator with a two digit LED display. It contains a yellow light to display one set point, a red light to display the other set point. When both alarms activate, an audible buzzer will sound. Each set point controls a SPDT relay (rated at 5A at 30VDC), that can be used to turn on or off electrical devices.



### \*\*\***IMPORTANT**\*\*\*

**This instrument is to be used as an aide to your current safety program, and is not to be used exclusively in operations that may affect personal and/or property safety.**

*MAXIMUM* INC.

30 Samuel Barnet Boulevard  
New Bedford, MA 02745  
(508) 995-2200, [www.maximum-inc.com](http://www.maximum-inc.com)

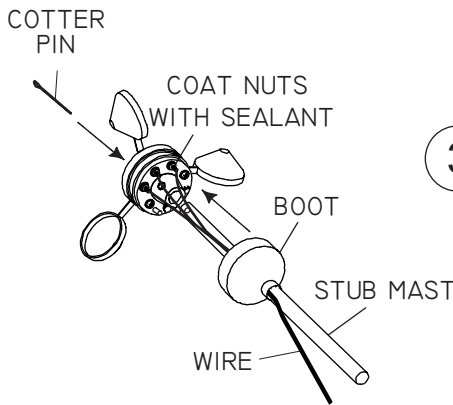
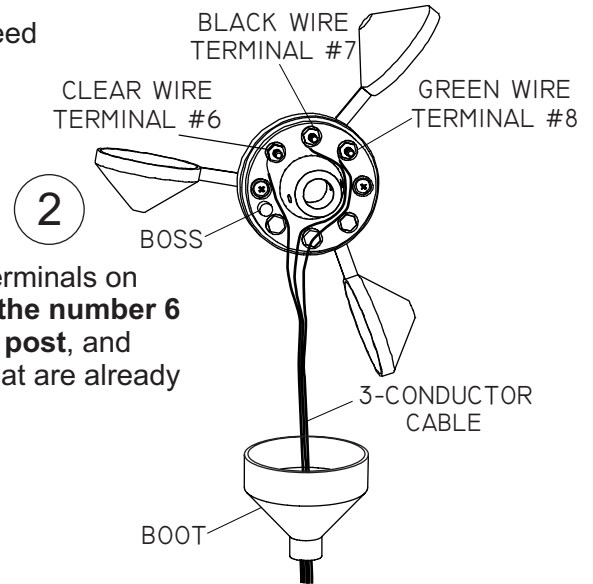
# WIND ALARM

## INSTALLATION INSTRUCTIONS

PROPER INSTALLATION IS IMPORTANT. IF YOU NEED ASSISTANCE, CONSULT A CONTRACTOR ELECTRICIAN OR TELEVISION ANTENNA INSTALLER (CHECK WITH YOUR LOCAL BUILDING SUPPLY, OR HARDWARE STORE FOR REFERRALS). TO PROMOTE CONFIDENCE, PERFORM A TRIAL WIRING BEFORE INSTALLATION.

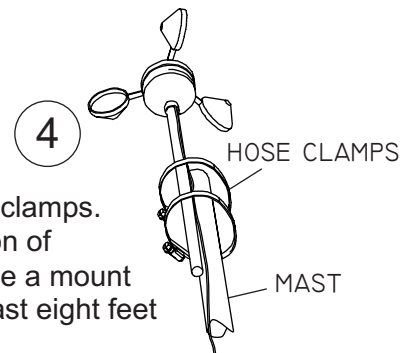
- 1 Determine where you are going to locate both the wind speed sensor and the read-out.

Feed the terminal lug end of the 3-conductor cable through the bottom of the enclosed rubber boot and connect the lugs to the terminals on the bottom of the wind speed sensor. Connect the **clear wire to the number 6 terminal post** on the generator, the **black wire to the number 7 post**, and the **green wire to the number 8 post**. (Do not adjust the nuts that are already on the sensor).

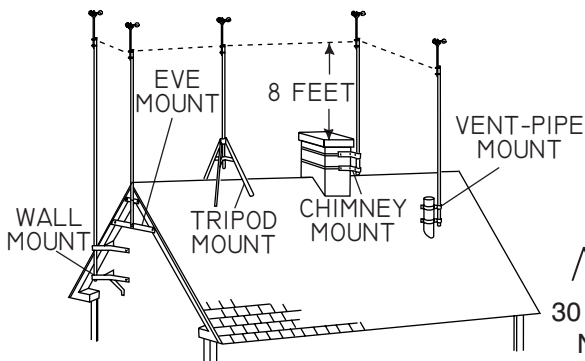


- 3 Slide the stub mast through the rubber boot and insert the stub mast into the bottom of the wind speed sensor. Secure with the cotter pin. **Coat all wire connections with rubber silicone sealant** and slip the boot over the sensor.

Secure the sensor and the stub mast to your antenna mast (not supplied) with the two hose clamps. Radio Shack and similar stores have a selection of antenna masts and mounting brackets. Choose a mount that best suits your location and provides at least eight feet of vertical clearance.



- 5 Follow the instructions supplied with the antenna mount and secure the mast to the mount.



**MAXIMUM** INC.

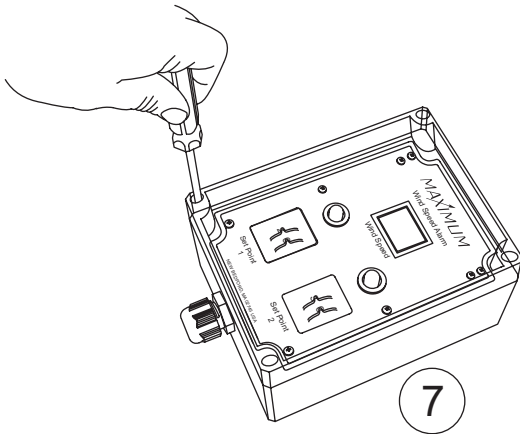
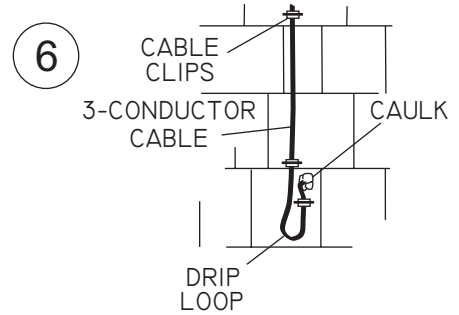
30 Samuel Barnet Boulevard  
New Bedford, MA 02745

(508) 995-2200, [www.maximum-inc.com](http://www.maximum-inc.com)

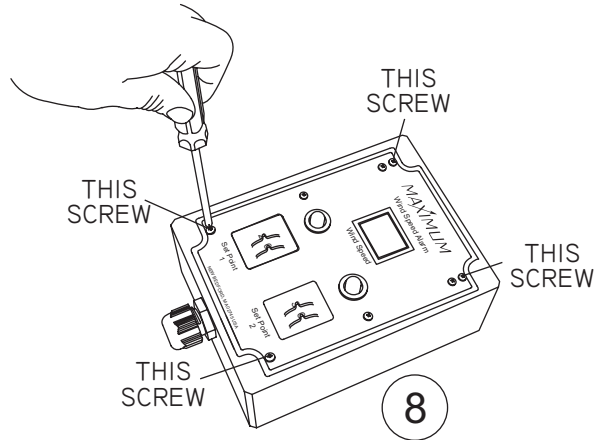
# WIND ALARM

## INSTALLATION (CONTINUED)

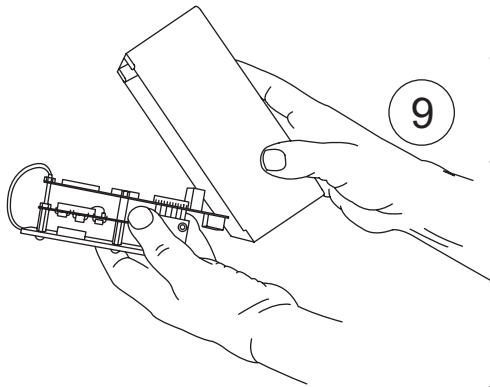
Secure the wire to the building using cable clips (do not use regular staples). Form a drip loop where the wire enters the hole drilled through exterior wall. Feed the cable through the wall where the read-out is to be located. Caulk the hole when done.



Remove the clear cover by removing the corner screws

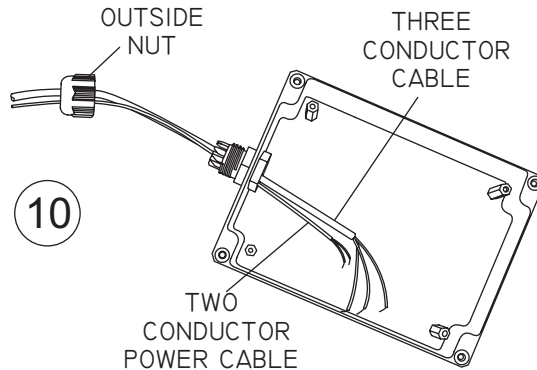


Remove the circuit board from the plastic enclosure by removing the screws on each corner.



Tilt the enclosure forward until the circuit board drops out. (The circuit board will not drop out completely if the optional latching switch is installed.)

Remove the outside nut from the base of the enclosure. Feed the sensor and power wires through the nut. Then, into the enclosure of the instrument through the opening. Do not supply power to the instrument at this time.



**MAXIMUM** INC.

30 Samuel Barnet Boulevard  
New Bedford, MA 02745

(508) 995-2200, [www.maximum-inc.com](http://www.maximum-inc.com)

Page 3

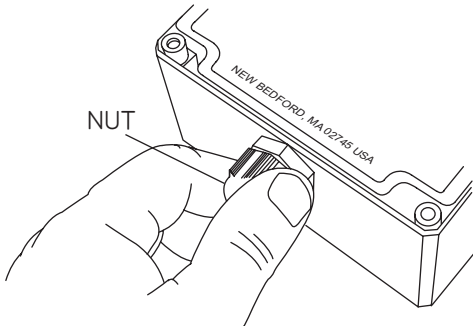
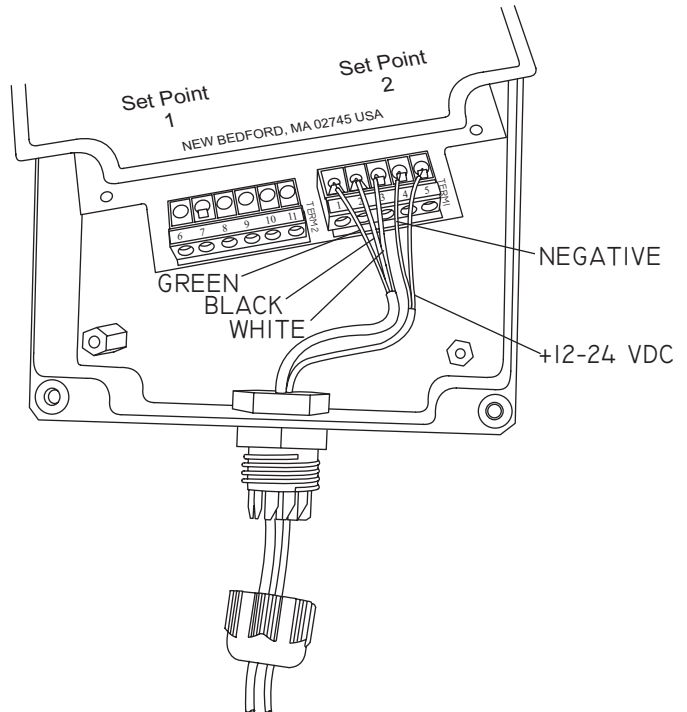
# WIND ALARM

## INSTALLATION (CONTINUED)

Connect the wires to the circuit board terminal strips. Connect the **green** sensor wire to the terminal marked **#1**. Connect the **black** sensor wire to the terminal marked **#2**. Connect the **white (clear)** sensor wire to the terminal marked **#3**.

11

Connect the **negative** power wire to the terminal marked **#4**. Connect the **positive** power wire to the terminal marked **#5**. **Note: Use only a 12 or 24VDC (depending on the model) power source.**



12

Place the circuit board back into the enclosure. (You may need to pull back on the wires while you are trying to place circuit board back into the enclosure. It may help to place the connector side in first, then the top of the circuit board).

Replace the screws to secure the circuit board. Re-attach the nut to the base of the enclosure. Nut should be in tight as it acts as strain relief for the cables and protection from moisture.

13 Apply power to the instrument and check the operation.

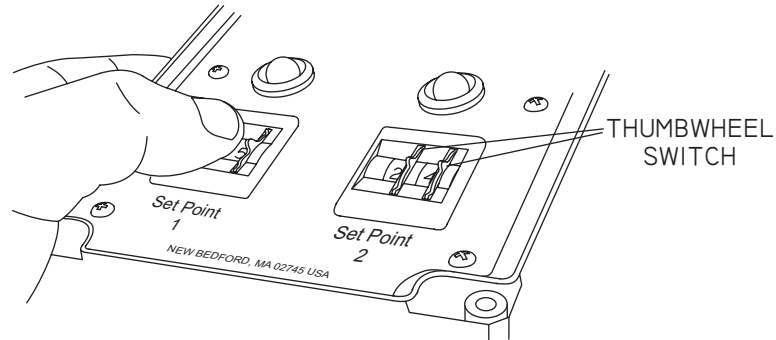
*MAXIMUM* INC.

30 Samuel Barnet Boulevard  
New Bedford, MA 02745

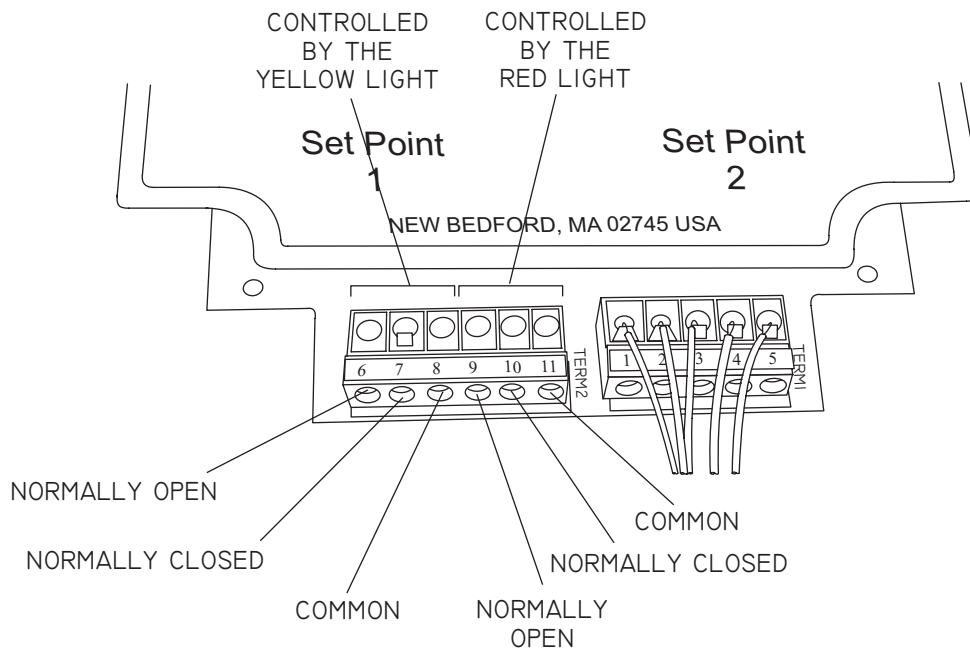
(508) 995-2200, [www.maximum-inc.com](http://www.maximum-inc.com)  
Page 4

# WIND ALARM

## OPERATION



The thumbwheel switch directly below each LED controls the yellow or red warning lights. Adjust the speed that you want to set off the yellow or red light by pushing the adjustment lever on the thumbwheel switch to the desired wind speed. Once the wind speed reaches the level set on the thumbwheel switch, the yellow or red light will turn on and activate the relay. When both lights are activated, the buzzer will sound.



The relays are SPDT. If you are looking at the relay terminal block, the yellow light controls terminals 6, 7, and 8. Prior to reaching the set point, terminals 7 and 8 are normally closed and terminals 6 and 8 are normally open. The red light controls terminals 9, 10, and 11. Prior to reaching the set point, terminals 10 and 11 are normally closed and terminals 9 and 11 are normally open.

**MAXIMUM** INC.

30 Samuel Barnet Boulevard  
New Bedford, MA 02745

(508) 995-2200, [www.maximum-inc.com](http://www.maximum-inc.com)

# WIND ALARM

## TROUBLE SHOOTING

### If the read out is blank (no lights):

Check the power source; make sure that there is 12 or 24VDC (depending on the model) power supplied.

Check the Polarity; make sure that the positive and negative leads were connected according to the instructions.

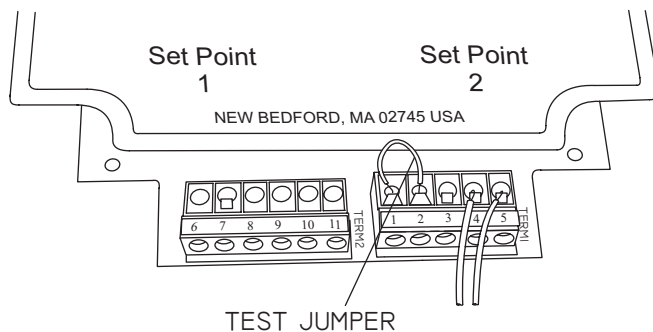
Check the sensor connections; make sure that none of the wires are contacting (shorting) each other.

### If there is no Wind Speed (reads "00"):

Check continuity of the cable.

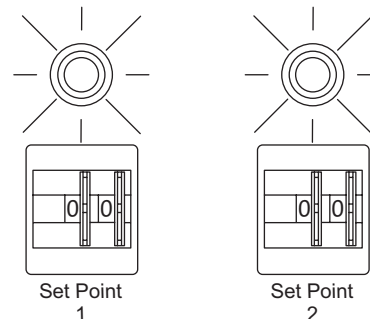
Check sensor connections; make sure that the wiring sequence for the wind speed sensor is correct.

Disconnect the wires from the #1, #2, and #3 terminals. With a short jumper wire short (touch together) terminals #1 and #2 together several times. This will make the read-out show a random number for wind speed. If it does, the instrument is OK, and the problem is in the sensor. If it still shows "00" then the problem is in the read-out.



### To Test the Alarm:

Set the set points to "00" MPH. This will activate both alarms.



All Maximum instruments are covered by a 5 year limited warranty. Please read the enclosed warranty card for further details. If you have any questions please feel free to contact our service department at (508) 995-2200 or fax (508) 998-5359, email [service.maximum@imtra.com](mailto:service.maximum@imtra.com)

**IMPORTANT: BOTH THE WIND ALARM READOUT AND THE WIND SPEED SENSOR (GENERATOR) MUST BE RETURNED TO MAXIMUM, INC. ON AN ANNUAL BASIS FOR A CALIBRATION CHECK.**

**FAILURE TO RETURN BOTH COMPONENTS WILL VOID THE MANUFACTURER'S LIMITED 5-YEAR WARRANTY.**

*MAXIMUM* INC.

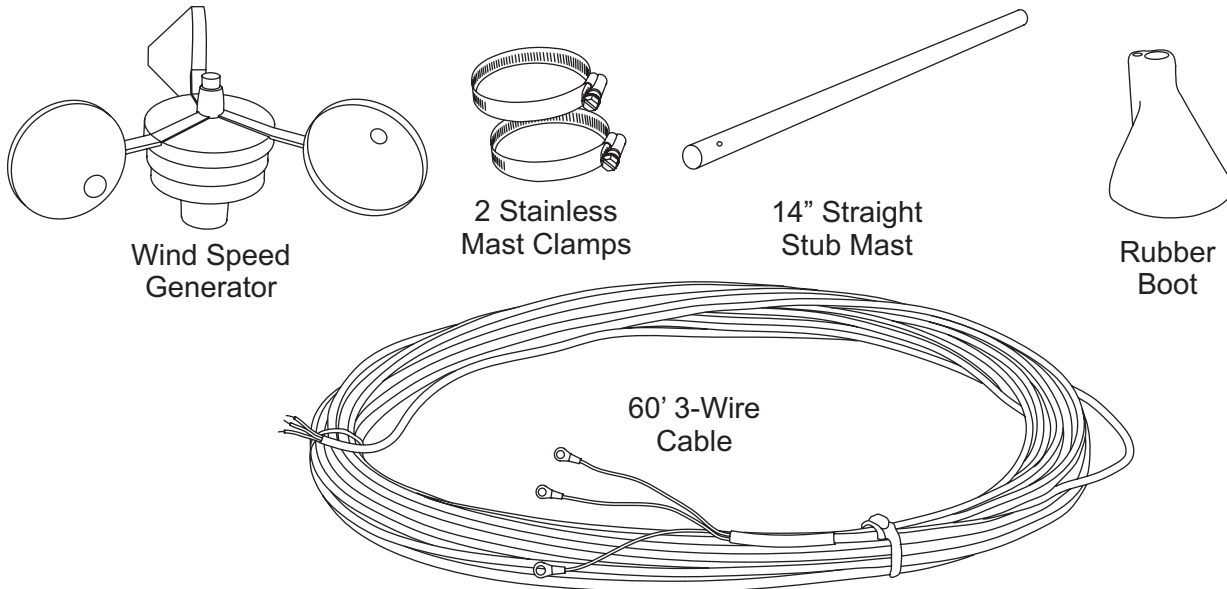
30 Samuel Barnet Boulevard  
New Bedford, MA 02745

(508) 995-2200, [www.maximum-inc.com](http://www.maximum-inc.com)

# WIND ALARM

## IMPORTANT ADDITIONAL INFORMATION

**Components:** Along with the indicator, the following components are included with this instrument:



**Units of Measure:** Instrument can be factory calibrated to read MPH, Knots, Km/h or M/S.

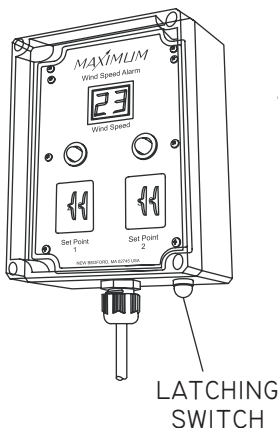
**Sensor:** Properly installed, your sensor will require virtually no maintenance at all. Our sensors do not utilize brushes or wiping contacts. All bearings are Rulon-J self lubricating type and will perform for many years in the harshest environments.

**Specifications:** All instrumentation or measuring devices have accuracy tolerances and specifications. Making comparisons between different pieces of equipment is appropriate provided the specified accuracies of both are known.

	<b>Measurement Range</b>	<b>Guaranteed Accuracy</b>
Wind Speed	0-99 MPH	$\pm 2\%$ of Input & $\pm 1$ Digit
Power	12 or 24 VDC (@150ma)	
Sample Rate	3.1 seconds	
Operating Temperature	32 - 150 F(0 - 50 C)	

Display Dimensions: 6.3"L x 4.72"W x 3.29"D

Sensor Dimensions: 7.5" Swept Diameter of Rotor



**Optional Latching Switch:** Wind Alarms ordered with the Optional Latching switch will have a waterproof, membrane-covered toggle switch installed in the bottom of the display unit.

Once the relay for set point #2 is activated, it will remain activated until the push button switch is pressed. This feature keeps any external devices from repeatedly cycling on and off depending on the wind speed.

**MAXIMUM** INC.

30 Samuel Barnet Boulevard  
New Bedford, MA 02745

(508) 995-2200, [www.maximum-inc.com](http://www.maximum-inc.com)