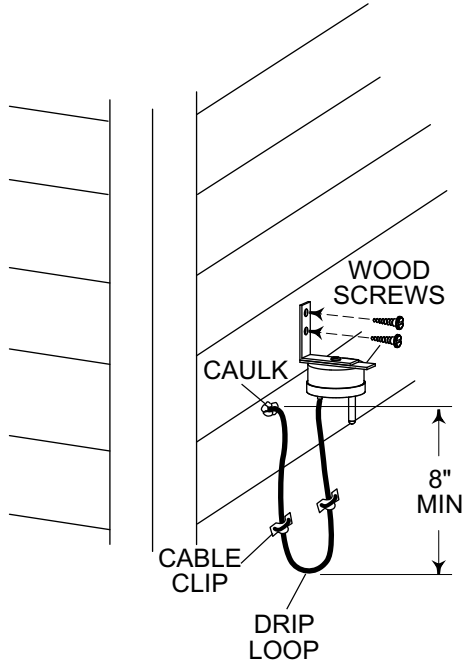


CRITERION

INSTALLATION

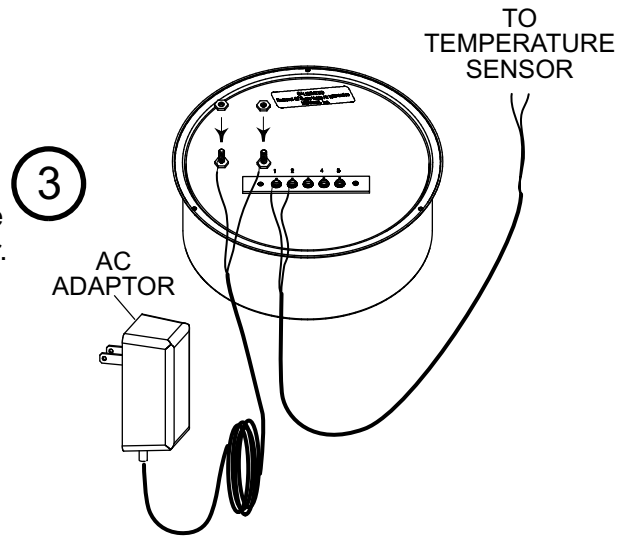
PROPER INSTALLATION IS IMPORTANT. IF YOU NEED ASSISTANCE, CONSULT A CONTRACTOR, ELECTRICIAN OR TELEVISION ANTENNA INSTALLER (CHECK WITH YOUR LOCAL BUILDING SUPPLY, OR HARDWARE STORE FOR REFERRALS). TO PROMOTE CONFIDENCE, PERFORM A TRIAL WIRING BEFORE INSTALLATION.



1 Mount the temperature sensor assembly with the two large wood screws. Select a location that is protected from direct sunlight and sheltered. (A north exposure, six feet above the ground will give the best results.)

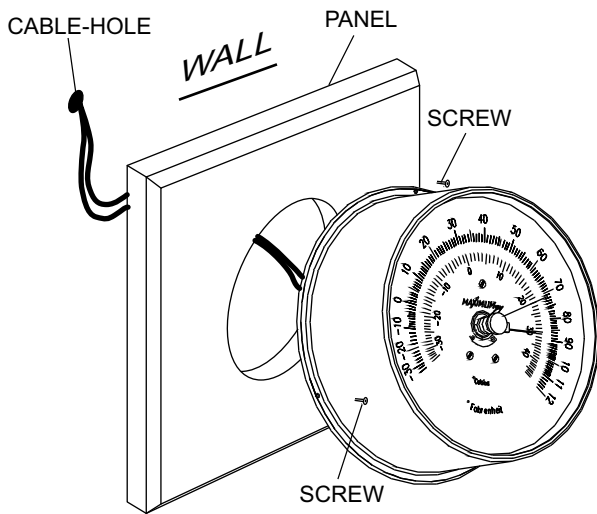
2 Form a drip loop with the wire at least eight inches below the exit from the sensor and at least eight inches below the point of entry into the building. Anchor any exposed wire with insulated cable clips. Run the wire through the building to the location where the indicator will be located. Caulk any holes when done.

Feed the AC adaptor's cord and the sensor wire to the indicator. Connect the the two wires of the AC adaptor cord to the back of the indicator with the supplied brass nuts. The polarity does not matter. Connect the two wires from the temperature sensor to #1 and #2 screw terminals (reading #1 through #5, left to right). The polarity does not matter. **Do not plug the AC adapter in until all of the connections have been made and checked.**



3

4 Mount the brass read-out directly over the cable feed-thru-hole to avoid crimping the wire under the lip. We recommend mounting the read-out on one of our pre-drilled and centered panels. Plug the power supply into a 110 VAC power outlet.

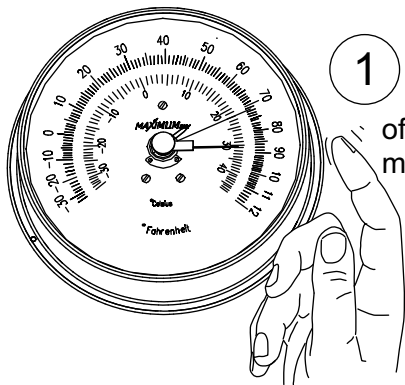


MAXIMUM INC

30 Barnet Boulevard
New Bedford, MA 02745
(508) 995-2200

CRITERION

OPERATION

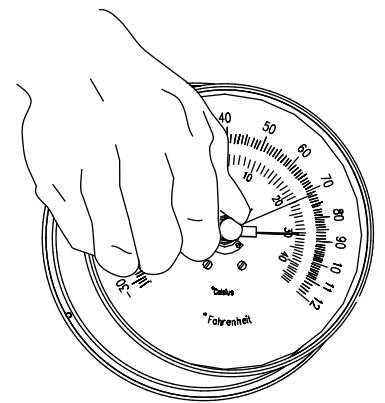


1

Before reading your thermometer, you should lightly tap the case with your finger. A TAP change of 1-2 degrees is a common occurrence with any slow moving precision meter movement.

2

The trend register needle can be set by turning the center knob on the indicator dial.



TROUBLE SHOOTING

1

Unplug the AC adaptor and remove the instrument from the wall.

2

Disconnect the AC adaptor from the indicator and connect it to an AC Voltmeter. Plug the AC adaptor back in.

3

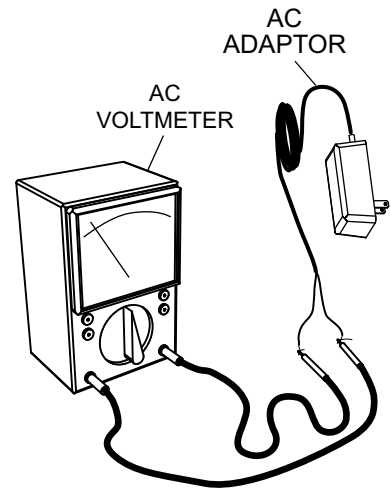
If working properly the AC adaptor will deliver 11.5 to 18VAC. If not working properly please contact the factory. If the AC adaptor is working properly, continue with the next steps.

4

Unplug the AC adaptor and reconnect it to the indicator. Plug the AC adaptor back into a 110V outlet.

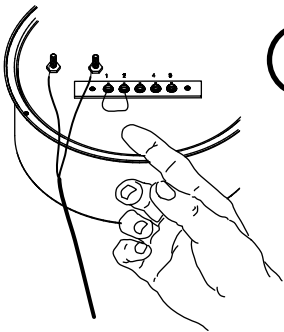
5

Disconnect the sensor wires from terminals #1 and #2 on the back of the indicator. The indicator pointer should drop to -35°F or below.



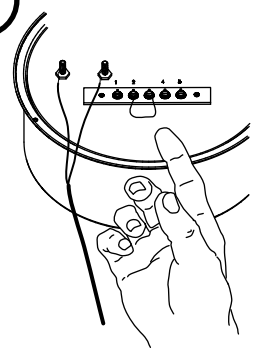
6

Use a jumper wire (a paper clip will do) to connect across the sensor terminals #1 and #2. The indicator should read 120°F. If so, disconnect this jumper and proceed to the next step.



7

Use a jumper wire to connect across terminals #2 and #3. The calibration test point has been hand-written on the back of the indicator just above terminals #2 and #3. If the indicator is in proper working order it will read within 2°F of this number. We recommend that you re-mount the instrument in this mode for several hours and observe it periodically. This will help to detect most intermittent problems. If the indicator registers within 2°F of the test point, then the problem is in the sensor or wire.



MAXIMUM INC

30 Barnet Boulevard
New Bedford, MA 02745
(508) 995-2200

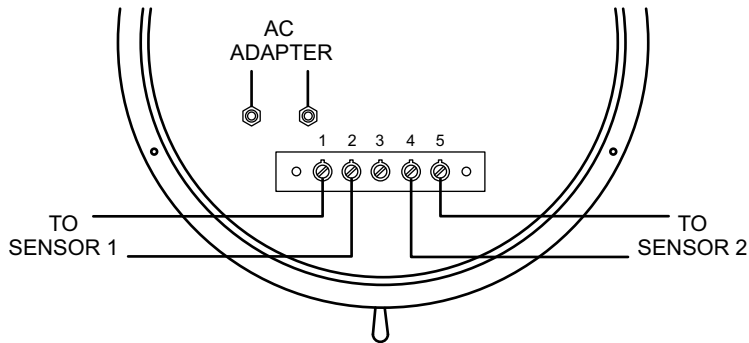
CRITERION

2 OR 3 SENSOR OPTIONS

As a factory installed option, the Criterion has the ability to be built as a two sensor instrument or three sensor instrument. This allows the ability to display temperatures from various locations.

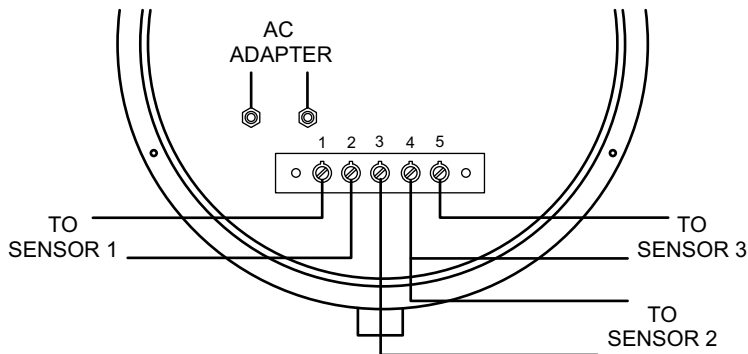
You may install additional air temperature sensors, water temperature sensor, or we can build in an internal ambient temperature sensor.

2 Sensor wiring, 2 position toggle switch



Sensor 1: Terminal 1 and Terminal 2
Sensor 2: Terminal 4 and Terminal 5
Test Point: Terminal 3 (See troubleshooting)

3 Sensor wiring, 3 position toggle switch



Sensor 1: Terminal 1 and Terminal 2
Sensor 2: Terminal 3 and Terminal 4
Sensor 3: Terminal 4 and Terminal 5

MAXIMUM INC

30 Barnet Boulevard
New Bedford, MA 02745
(508) 995-2200



Electrical Damage - Common Causes & Recommended Prevention

Electrical damage can be caused by many different factors. Below are some of the more common causes and some suggested methods of minimizing potential problems.

Common Causes:

Storm Activity - lightening in your area can do damage to your instruments in different ways. The obvious way is due to a direct or nearby strike. In addition, lightening storms, dust storms, dry snowstorms and strong dry winds can all cause static electricity to build up on and around your external sensors. Regardless of the cause, this built up electricity itself through the cable connecting the external sensors to the instrument.

Power Surges - A surge may come from the electric company's switching generators or power grids, from local industries or after power interruption when accumulated power suddenly surges back through AC lines. Even the on-and-off switching of large electrical appliances, such as refrigerators or clothes dryers can create damaging fluctuations. This is especially true with sensitive weather recording devices.

Yourself - Are you constantly giving and/or receiving a shock every time you touch a doorknob or other person? If so, you have a great deal of static electricity in your environment. In either case, it is possible for a person to carry enough of a charge to damage an instrument.

Recommended Prevention:

Use Surge Protectors - for the AC adapter, a UL 1449 rated surge protector with EMI/RFI filtering is recommended. This rating will be clearly listed on the packaging of all good quality surge protector.

Discharge Yourself - If the instruments are located in an environment where static electricity is a problem, make sure that you discharge yourself before touching the instrument(s). The shock that you get from touching a doorknob or another person can often be sufficient to damage an instrument.